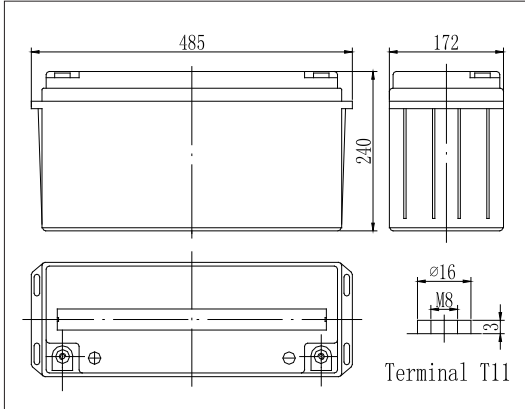


VALVE REGULATED LEAD ACID GEL BATTERY

G12150 (12V150AH)



CHRONOS BATTERY

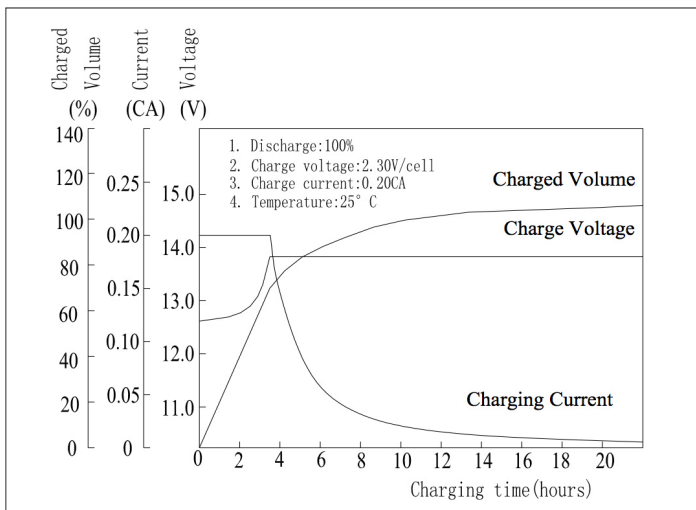


- Design life 12 years at 20 °C for floating application and around 1800 cycles for 30 % depth of discharge for cyclic application
- Highly efficient, maintenance free and leakage proof usable in all positions and it meets the standards of JISC, BS, DIN, IEC etc.
- ISO9001 certified & UL approved as well as CE
- Containers ABS resin meeting: UL94-HB, UL94V-0 and UL94V-2 standards

SPECIFICATION

Nominal voltage	12 volts
Capacity	150 ampere hours at 20 °C, 10 hours rated (cut off voltage 1.80V/cell)
Dimension	L: 495 mm, W: 172 mm, H: 240 mm, TH: 240 mm
Weight approx.	43 kg or 94,8 pounds
Internal resistance	Approx. 3,5 mΩ
Self-discharge rate	Approx. 3 % per month at 25 °C
Operation temperature range	Discharged: -15 to 60 °C Charging: 5 °C to 65 °C Storage: 0 °C degree to 60 °C
Floating charge voltage	13.50 to 13.80 volts (-15mv / °C)
Cyclic charging voltage	14.50 to 14.90 volts (-20mv / °C)
Maximum charging current	45 ampere (A)
Boost/equalizing charge	Not required
Container material	ABS resin

Charging characteristics (25 °C)



Open circuit voltage vs residual capacity (25 °C)

