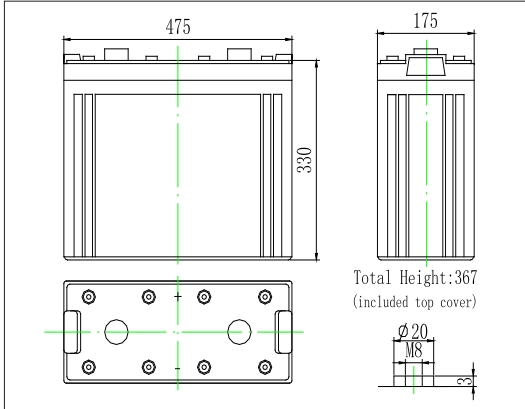


VALVE REGULATED LEAD ACID GEL BATTERY

G21000 (2V1000AH)



CHRONOS BATTERY

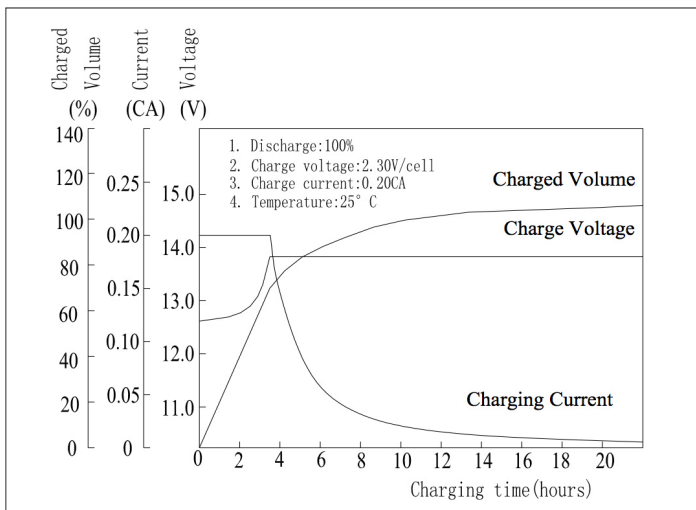


- Design life 20 years at 20 °C for floating application and around 1800 cycles for 30 % depth of discharge for cyclic application
- Highly efficient, maintenance free and leakage proof usable in all positions and it meets the standards of JISC, BS, DIN, IEC etc.
- ISO9001 certified & UL approved as well as CE
- Containers ABS resin meeting: UL94-HB, UL94V-0 and UL94V-2 standards

SPECIFICATION

Nominal voltage	2 volts
Capacity	1000 ampere hours at 20 °C, 10 hours rated (cut off voltage 1.80V/cell)
Dimension	L: 475 mm, W: 175 mm, H: 330 mm, TH: 367 mm
Weight approx.	61 kg or 134.5 pounds
Internal resistance	Approx. 0,28 mΩ
Self-discharge rate	Approx. 3 % per month at 25 °C
Operation temperature range	Discharged: -15 to 60 °C Charging: 5 °C to 65 °C Storage: 0 °C degree to 60 °C
Floating charge voltage	2.25 to 2.30 volts (-3mv / °C)
Cyclic charging voltage	2.42 to 2.48 volts (-4mv / °C)
Maximum charging current	200 ampere (A)
Boost/equalizing charge	Not required
Container material	ABS resin

Charging characteristics (25 °C)



Temperature affects on floating life)

